

Ex: 10

Display “HELLO WORDL” in LCD

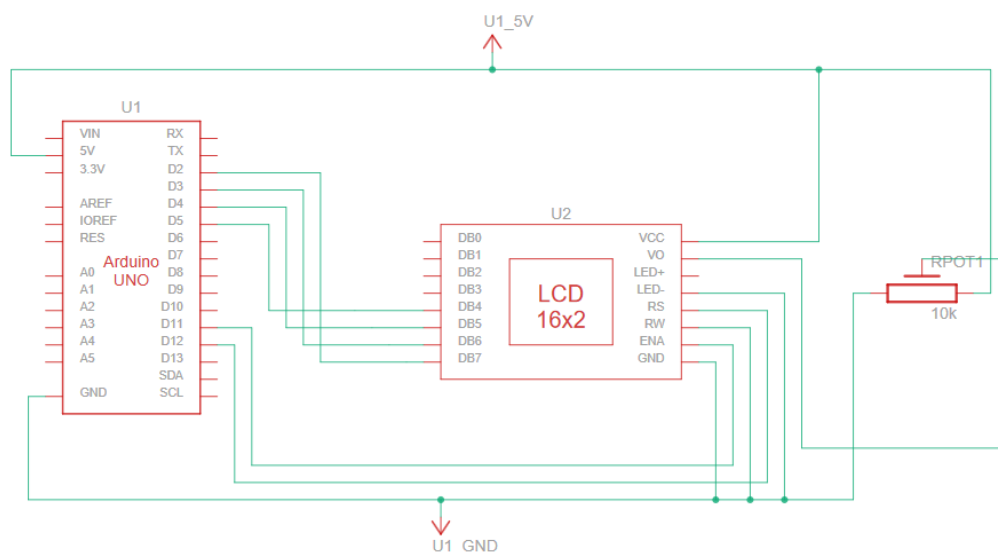
Aim:

To display “HELLO WORLD” in LCD 16x2 display using Arduino Uno.

Components Required:

- Arduino Uno Board
- LCD 16x2 display
- 10k pot
- Jumpers

Circuit Connection:



Pin Connections between LCD and Arduino UNO

LCD Pin	Arduino UNO Pin
Pin 1	Ground
Pin 2	+5v Power
Pin 3	10k pot
Pin 4 (RS)	D12
Pin 5 (RW)	Ground
Pin 6 (E)	D11
Pin 7 (DB0)	
Pin 8 (DB1)	
Pin 9 (DB2)	
Pin 10 (DB3)	
Pin 11 (DB4)	D5
Pin 12 (DB5)	D4
Pin 13 (DB6)	D3
Pin 14 (DB7)	D2
Pin 15	
Pin 16	Ground

Sketch

```
#include <LiquidCrystal.h>

LiquidCrystal lcd(12, 11, 5, 4, 3, 2);

void setup() {
  lcd.begin(16, 2);
}
void loop() {
  lcd.clear();
  lcd.setCursor(0, 0);
  lcd.print("Hello Welcome");
  delay(1000);
}
```

Result:

Thus Arduino Uno board is utilized to display “HELLO WORLD” in LCD display.